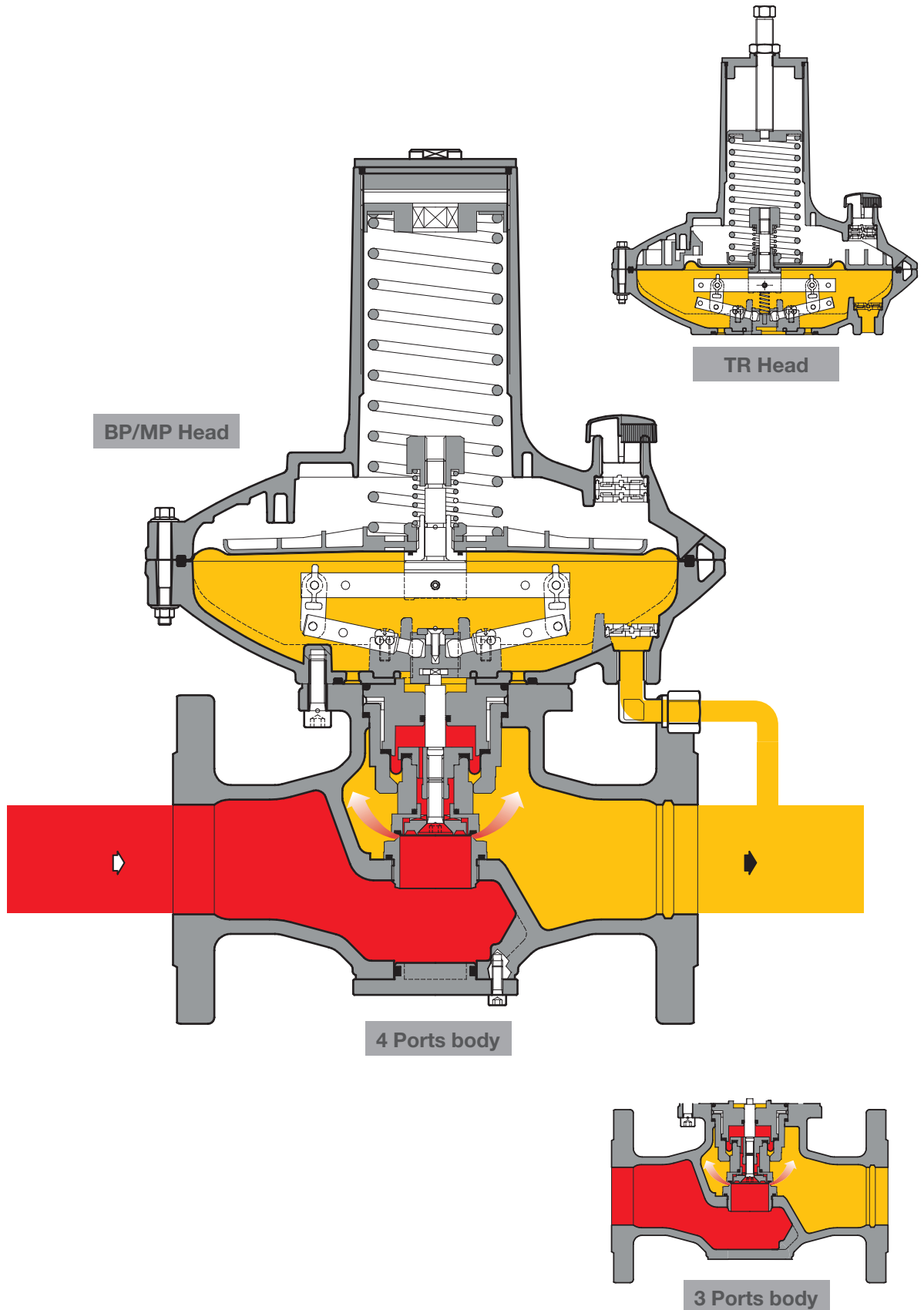


Dival 600

Pressure Regulator



Pietro
Fiorentini



Inlet Pressure



Outlet Pressure



Control Pressure