

Terval

Pressure Regulator

301/.

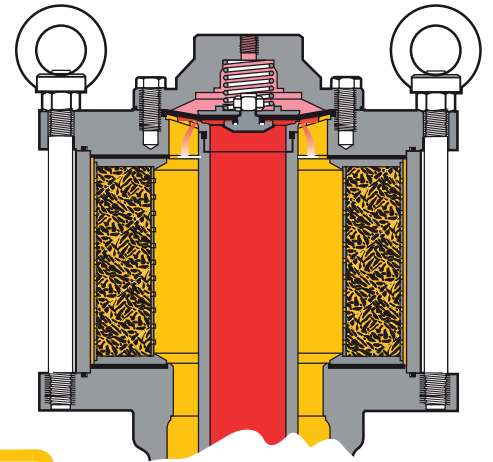
5 ÷ 100 mbar
2 w.c. ÷ 1,45 psig

301/.TR

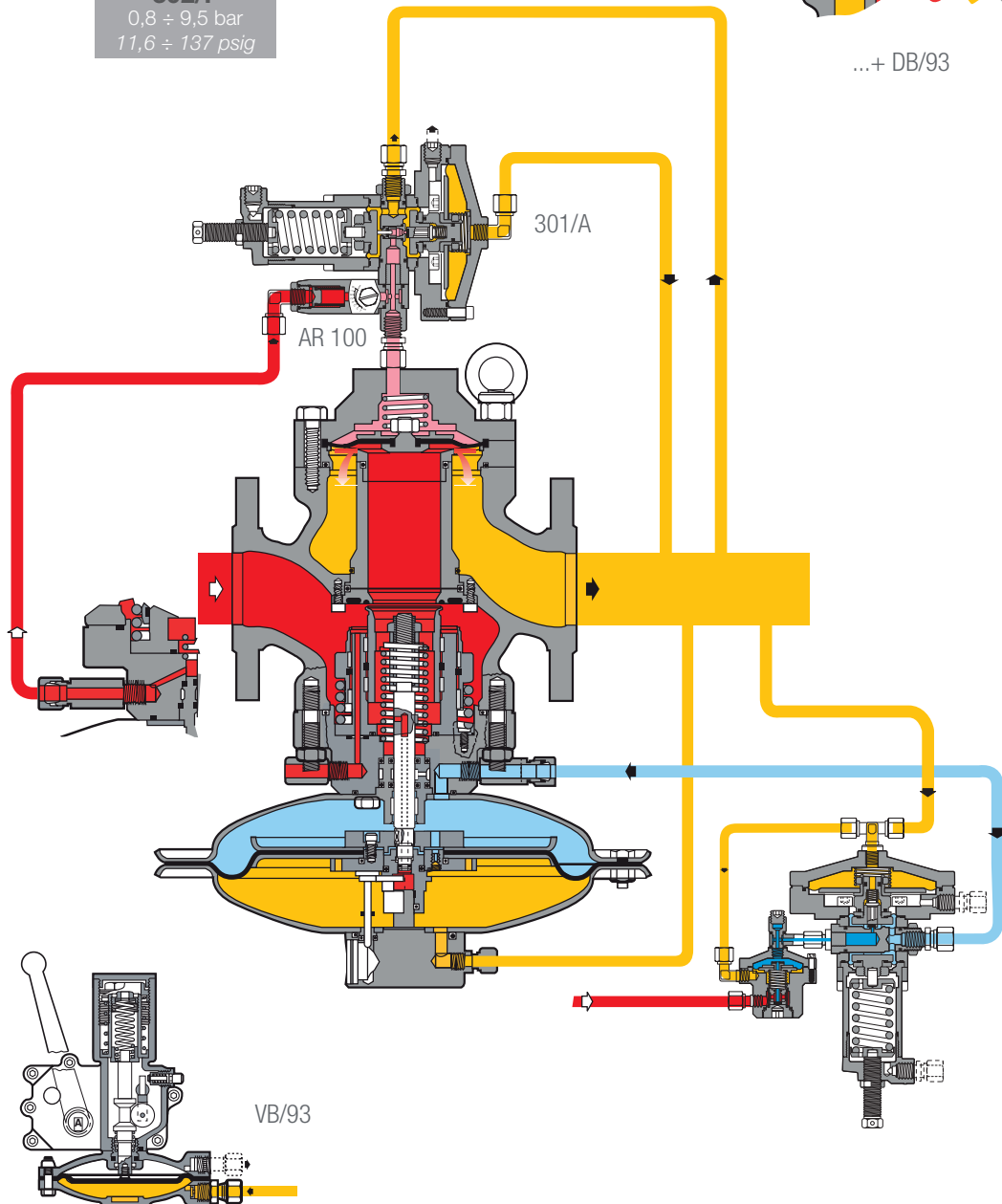
0,1 ÷ 2 bar
1,45 ÷ 29 psig

302/.

0,8 ÷ 9,5 bar
11,6 ÷ 137 psig



...+ DB/93



Inlet Pressure



Outlet Pressure



Motorization



Motorization Monitor



Pilot Feed